

# CARDOX<sup>®</sup> Low Pressure Carbon Dioxide Pilot Light, Hose Line



Effective: December 2019  
K-64-057 Rev AA

## FEATURES

- *UL Listed for LPCO<sub>2</sub> Service*
- *FM Approved for LPCO<sub>2</sub> Service*
- *Weather-proof or Explosion-proof models available*
- *3/4" through conduit connections*

## DESCRIPTION

The pilot light provides a continuous visual indication of power supplied to the playpipe bracket and actuator assembly. Upon removing the playpipe from the bracket, the pilot light illumination switches off. The rugged pilot light assemblies are constructed from electro-galvanized cast iron with an aluminum acrylic paint and sealed for ingress protection. A typical model 6S6 style bulb is factory fitted to each assembly.

## ORDERING INFORMATION

Description	Part Number
Pilot Light, Weather-proof	10130001
Pilot Light, Explosion-proof	10130003

## REFERENCED COMPONENTS

Description	Reference Data Sheet
Bracket, Playpipe	K-64-056

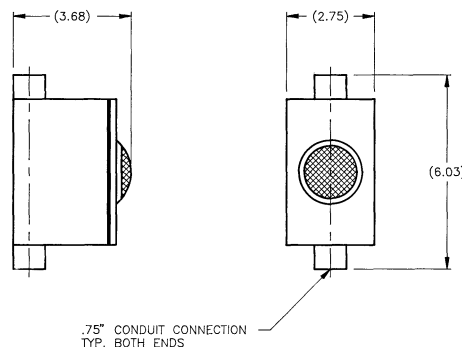


Figure 1. Weather-Proof Pilot Light

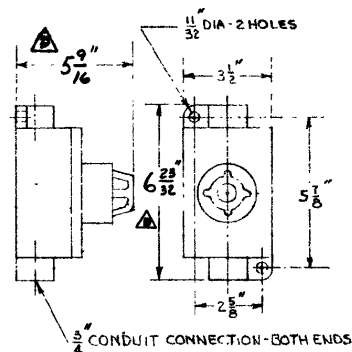


Figure 2. Explosion-Proof Pilot Light

## SPECIFICATIONS

Part Number	Application	Electrical Rating	NEMA Rating	Other
10130001	Weather-proof	110Vac/125Vdc	1,3,4 & 13	N/A
10130003	Explosion-proof	110Vac/125Vdc	3 7, Class I, Groups C, and D 9, Class II, Groups E, F, and G	CSA C22/UL 1203 certified

### EXPORT INFORMATION (USA)

Jurisdiction: EAR  
Classification: EAR99  
This document contains technical data subject to the EAR.

This literature is provided for informational purposes only. KIDDE-FENWAL, INC. believes this data to be accurate, but it is published and presented without any guarantee or warranty whatsoever. KIDDE-FENWAL, INC. assumes no responsibility for the product's suitability for a particular application. The fire suppression system design, installation, maintenance, service and troubleshooting must be performed by trained, authorized Kidde Fire Systems distributors for the product to work correctly. If you need more information on this product, or if you have a particular problem or question, contact KIDDE-FENWAL, INC., Ashland, MA 01721 USA. Telephone: (508) 881-2000.

Cardox is a registered trademark of Kidde-Fenwal, Inc., or its parents, subsidiaries, or affiliates. All trademarks are the property of their respective owners. ©2019 Kidde-Fenwal, Inc.

Kidde Fire Systems  
400 Main Street  
Ashland, MA 01721  
Ph: 508.881.2000  
Fax: 508.881.8920  
[kiddefiresystems.com](http://kiddefiresystems.com)